

TECHNICAL DATA SHEET



TJ SERIES VERTICAL LIQUID COLUMN MANOMETERS

The TJ range of vertical liquid column manometers, developed and manufactured by KIMO, are mainly for measuring variations of pressure, depression or differential pressure of air or gas within measurement ranges which vary according to the type of manometric liquid used : AWS 10, VOLT 1S or MERCURY.
(See table below).

- "J"- shaped column for direct measuring.
- Zero adjustment by moving the slide strip.
- For fixed use regardless of the manometric liquid used.
- For portable use with the TJ model using VOLT 1S liquid.
- Comes with a white PVC support, 2 screws and 2 rawlplugs, two 487 connectors and a bottle of liquid.

MEASUREMENT RANGE

			TJ 100	TJ 150	TJ 200	TJ 300	TJ 400	TJ 600	TJ 800	TJ 1000
AWS 10 LIQUID	MEASUREMENT RANGE	mm CE	0-100	0-150	0-200	0-300	0-400	0-600	0-800	0-1000
		mbar	0-10	0-15	0-20	0-30	0-40	0-60	0-80	0-100
		In WG	0-4	0-6	0-8	0-12	0-16	0-24	0-32	0-40
Resolution : 1 mm CE or 0.5 mbar or 0.1 In WG										
VOLT 1S LIQUID	MEASUREMENT RANGE	mm CE	-	-	0-450	0-650	0-850	0-1300	0-1750	0-2150
		mbar	-	-	0-45	0-65	0-85	0-130	0-175	0-215
		In WG	-	-	0-17	0-26	0-34	0-52	0-68	0-85
Resolution : 5 mm CE or 1 mbar or 0.1 In WG										
MERCURY	MEASUREMENT RANGE	mm HG	-	-	0-230	0-350	0-460	0-690	0-920	0-1160
		mbar	-	-	0-310	0-470	0-620	0-920	0-1230	0-1550
		In WG	-	-	0-9	0-14	0-18	0-27	0-36	0-46
Resolution : 1 mm HG or 10 mbar or 0.1 In WG										

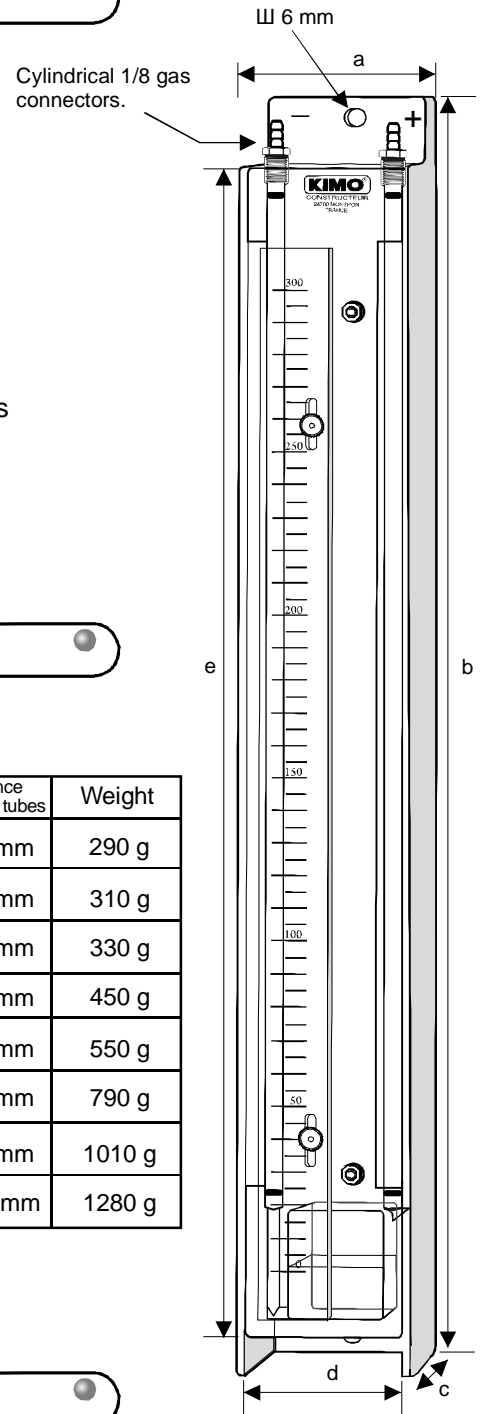


CHARACTERISTICS

- Recommended range of use : +5 to 30°C.
- Possible range of use : -30 to 60°C.
- Maximum static pressure : 6 bars.
- Manometer body : 15 mm thick transparent Altuglas.
- Liquid column : \varnothing 4mm tube in extruded Altuglas.
- Graduated slide strip : transparent Altuglas. Cross-section 23 x 3 mm.
- Zero adjustment by moving the graduated slide strip, travel 15 mm. Fixed in place via milled, nickel-plated brass screw.
- Reservoir capacity : 20 ml.
- Connection : \varnothing 5x8 mm semi-rigid crystal tube on \varnothing 6.2 nickel-plated brass ribbed connectors (for manometers using AWS 10 or VOLT 1S liquid) or in Delrin (for mercury manometer), 1/8 gas thread.
- Wall mounting with or without white PVC support.

DIMENSIONS

REFERENCE	a	b	c	d	e	Distance between tubes	Weight
TJ 100	57 mm	185 mm	25 mm	52 mm	147 mm	171 mm	290 g
TJ 150	57 mm	243 mm	25 mm	52 mm	205 mm	229 mm	310 g
TJ 200	57 mm	314 mm	25 mm	52 mm	276 mm	300 mm	330 g
TJ 300	57 mm	430 mm	25 mm	52 mm	392 mm	416 mm	450 g
TJ 400	57 mm	545 mm	25 mm	52 mm	507 mm	531 mm	550 g
TJ 600	57 mm	777 mm	25 mm	52 mm	739 mm	763 mm	790 g
TJ 800	57 mm	1008 mm	25 mm	52 mm	970 mm	994 mm	1010 g
TJ 1000	57 mm	1239 mm	25 mm	52 mm	1201 mm	1225 mm	1280 g



MOUNTING

Mount the manometer on a wall or partition wall with two maximum \varnothing 5 screws. Unscrew one of the two connectors and slowly pour the manometric liquid to zero point on the graduation. Remount the connector without overtightening. Connect the manometer with the \varnothing 5x8 mm crystal tube to the pressure or depression source to be checked.

NOTE :

- For a pressure measurement : connect the crystal tube to the right-hand connector (+).
- For a depression measurement : connect the crystal tube to the left-hand connector (-).
- For a differential pressure measurement : connect the highest pressure to the right-hand connector (+) and the lowest pressure to the left-hand connector (-).

MAINTENANCE : TJ manometers require no special maintenance other than simply changing the reading liquid once a year.

www.kimo.f

EXPORT DEPARTMENT
 BP 48. Bld de Beaubourg - Emerainville
 F-77312 MARNE LA VALLEE CEDEX 2 - FRANCE
 Tel : 33. 1. 60. 06. 69. 25
 Fax : 33. 1. 60. 06. 69. 29
 e-mail : kimo.export@kimo.fr



Distributed by :